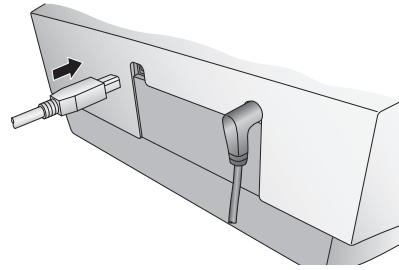


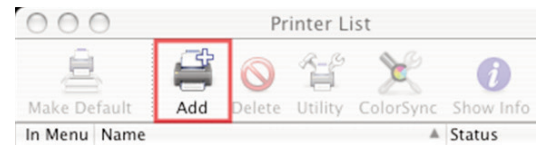
5c Installing the Printer Driver (Mac)

Connect the Publisher to your PC with your USB 2.0 Cable.

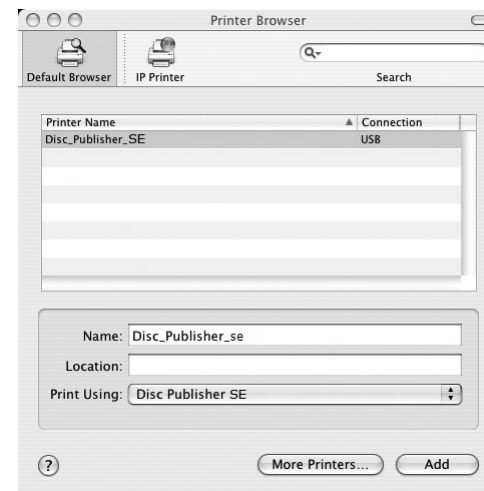


Add the Publisher via the Printer Setup Utility.

1. Open the Printer Setup Utility located in the Applications - Utilities folder.



2. Click **Add**. Select the Disc Publisher SE from the list of available printers. Click **Add** again.



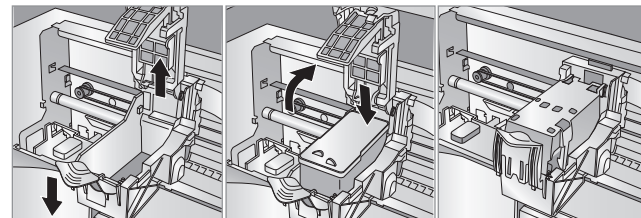
6 Installing the Ink Cartridge

- With the cover open, press the button on the top of the Publisher to move the Ink Cartridge Carrier to the load position.
- Open the cartridge cover by pressing down on the tab.
- Remove the ink cartridge from its packaging.
- Slowly remove the tape covering the cartridge's print head.
DO NOT TOUCH THE



COPPER AREA!

- Insert the ink cartridge into the carrier, copper end first and snap the cartridge cover in place.
- Close the Publisher's front cover.



7 Aligning the Cartridge

If you are using a PC the Installer will prompt you to align the cartridge.

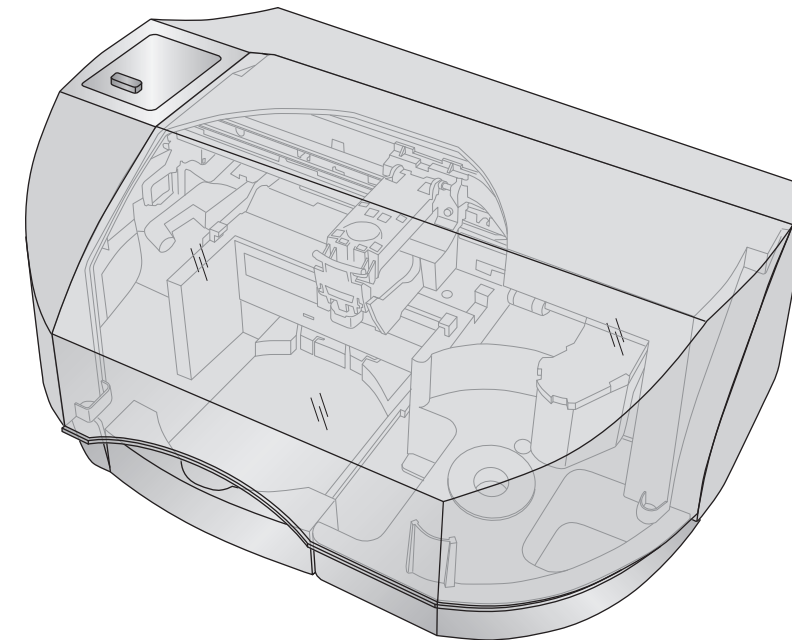
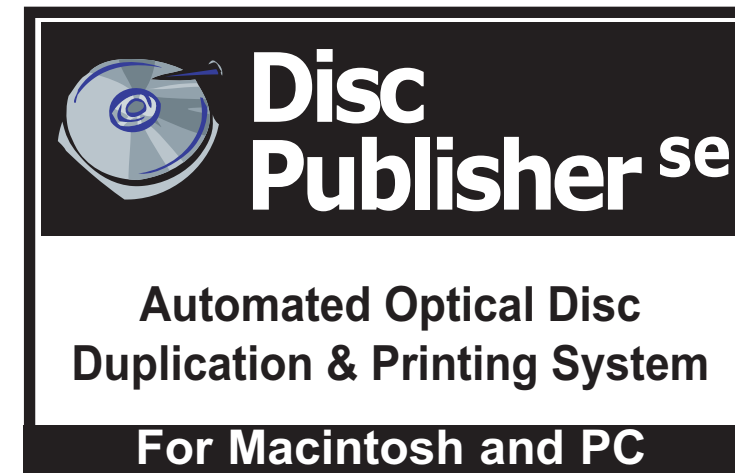
If you are using a Mac you will be prompted to align the cartridge before you print for the first time.

Note: An alignment print is required every time you install a new cartridge. The software will always prompt you to align the cartridges. Make sure there is an unprinted disc in the bin for this alignment.

8 Publishing a Disc

Congratulations, you are now ready to start Publishing discs!

- For Instructions on copying a disc using a PC refer to section 3 in the User's Manual.
- For Instructions on copying a disc using a Macintosh refer to section 4 in the User's Manual.
- For help with problems publishing discs using a PC or Macintosh please visit Primera's online Knowledgebase at www.primera.com/knowledgebase.html.



*after registering your product. See www.primera.com for terms and conditions.

PRIMERA
© 2008 All rights reserved

P/N 510964 - 020608

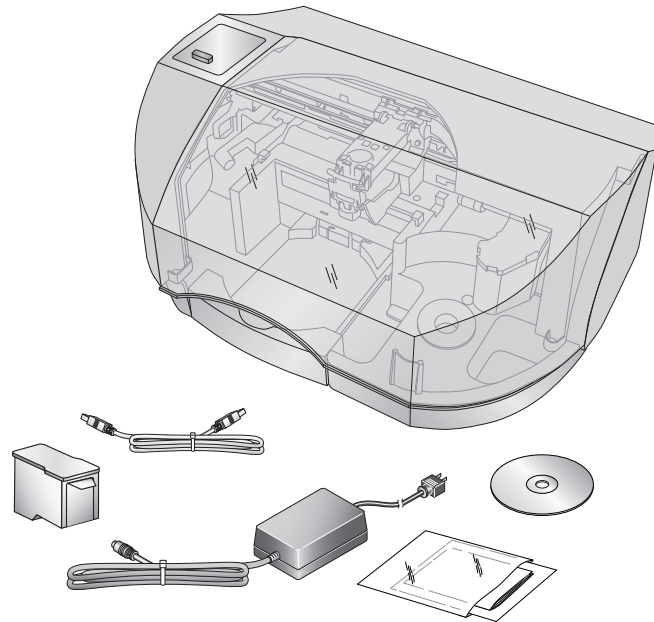
Quick Start

1 Unpacking Your Disc Publisher

The following items are contained inside the box:

- Disc Publisher SE
- Power Cord and Converter
- One Three-Color (CMY) Ink Cartridge
- Installer Disc
- USB 2.0 Interface Cable
- This Quick Start Guide and Other Printed Information

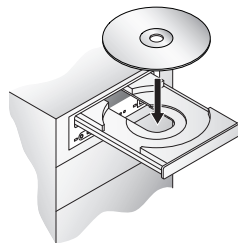
Save the carton and packing materials. They will come in handy later if you ever need to transport the Publisher and/or any of its parts and accessories.



2 Installing the Software

PC

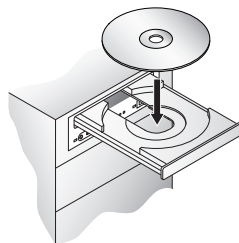
1. Place the Installer CD in your CDROM Drive. The Installer application will automatically launch in a few moments.
2. Click **Standard Install** to begin the installation. You may follow either the steps shown in this Quick Start or the steps shown in the installer to complete the installation.



Note: If the Installer does not start, open My Computer on your desktop. Double-click the icon of the appropriate CD drive containing the Software Installer disc. Double-click **Installer.exe**.

Mac

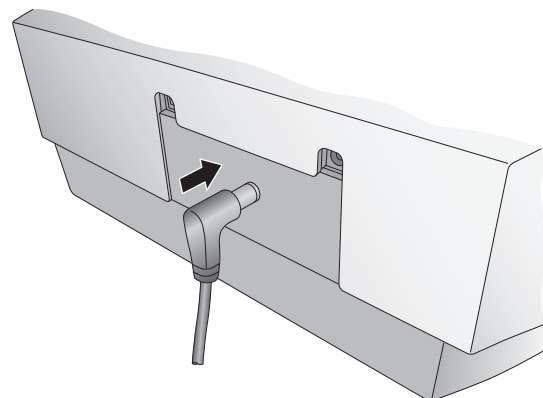
1. Insert the Installation CD-ROM in your system's CD-ROM drive.
2. Double-click the CD-ROM icon.
3. Double-click on the **Disc Publisher Installer.mpkg** file icon. Follow the on-screen instructions.



3 Applying Power

Be sure you have removed the packing tape and cardboard insert prior to applying power.

- Locate the power cord supplied with your Publisher.
- Place one end of the cord into the power port on the rear panel of the Publisher and the other end into a power outlet.
- Unit will initialize for approximately 30 seconds.



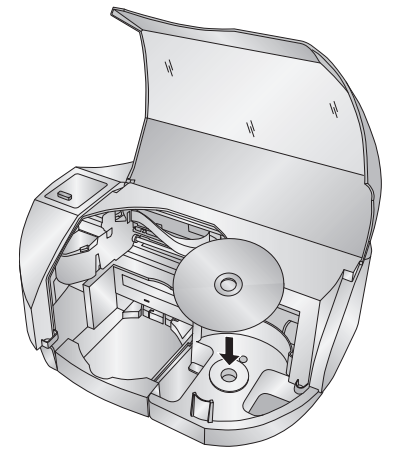
4 Loading Media (Discs)

Note on Media: Your Publisher can print directly onto virtually any brand of printable-surface CD/DVD media. However, different brands of discs have different printable coatings. Because of this, you may need to adjust the printer driver settings to accommodate your specific brand of CD/DVD media. Refer to Section 3D or 4D for further printer driver information.

For maximum print quality, use CD/DVD media authorized by Primera.

Refer to the following steps when loading discs in to the Publisher:

- Open the front cover of the Publisher.
- Load the Input Bin (the bin located on the right-hand side of the Publisher) with up to 20 blank discs.



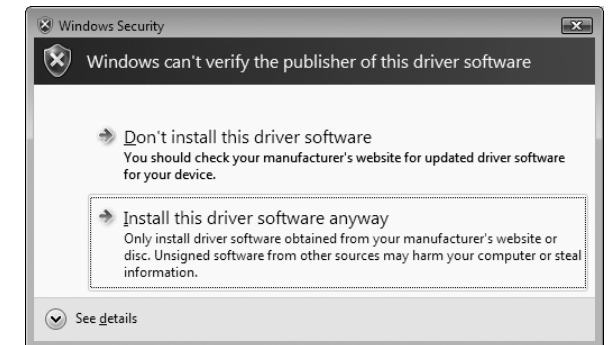
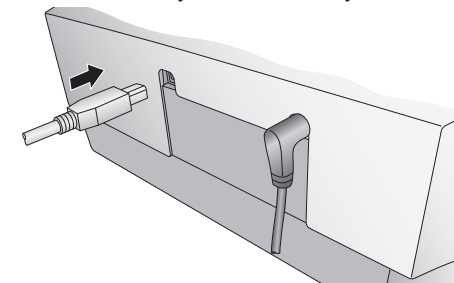
5a Installing the Printer Driver (Windows Vista)

Click the "Install Driver" button when prompted to do so by the installation disc.

Files will begin to copy to your hard drive.

You will be prompted that Windows can't verify the printer of this driver software. Click **Install the driver software anyway**.

Finally, connect the Publisher to your PC with your USB 2.0 Cable.



5b Installing the Printer Driver (Windows XP)

Connect the Publisher to your PC with your USB 2.0 Cable.

After a few moments, Windows will tell you it has found new hardware and is looking for software to install it.

Select "Install the software automatically" and follow through the wizard to complete the installation.

You will be prompted that the software has not passed Windows Logo Testing. You must click **Continue Anyway** to finish the installation.

